

LED/Buzzer 420 / Accessories

Tube adapter RM BK



Part No.: 975.420.01

MECHANICAL DATA

Height	67 mm
Diameter	89 mm
Materials	PC/ABS
Housing colour	Black
Protection category	IP65
Weight with packaging	75 g
Product weight	75 g

APPROVAL DATA

WEEE	No
Conforms with RED directive	No
Conforms with ATEX-directive	No
Conforms with CCC	No
Conforms with UL	No
Conforms with FCC	No
Conforms with IC	No
EAC certificate available	No
Conforms with AS-I	No
ICAO Certification	No
Conforms with DNV	No
Conforms with RoHS CN	No

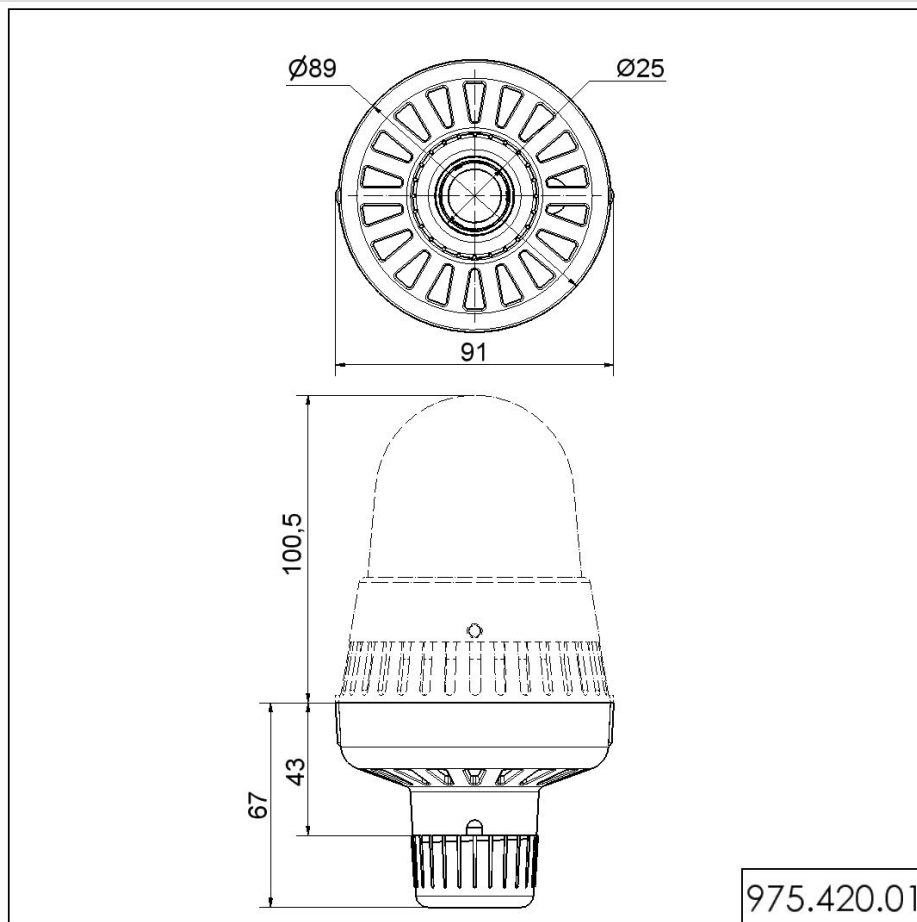


For additional installation and mounting information, refer to the appropriate user guide at www.werma.com. This printed copy is for information only and is subject to alteration.

LED/Buzzer 420 / Accessories

Tube adapter RM BK

DRAWING



For additional installation and mounting information, refer to the appropriate user guide at www.werma.com. This printed copy is for information only and is subject to alteration.